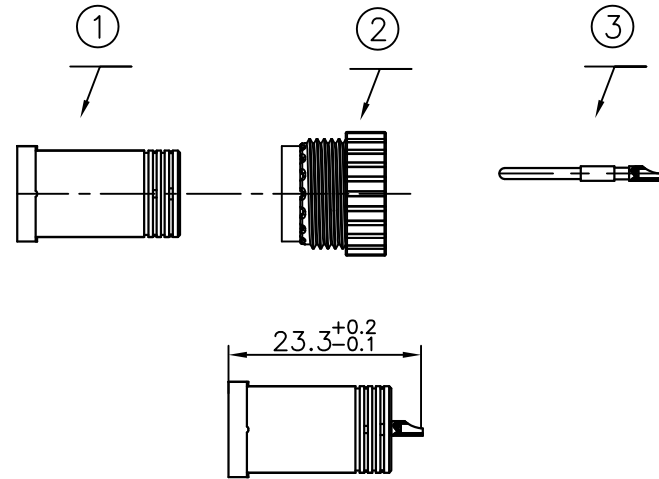
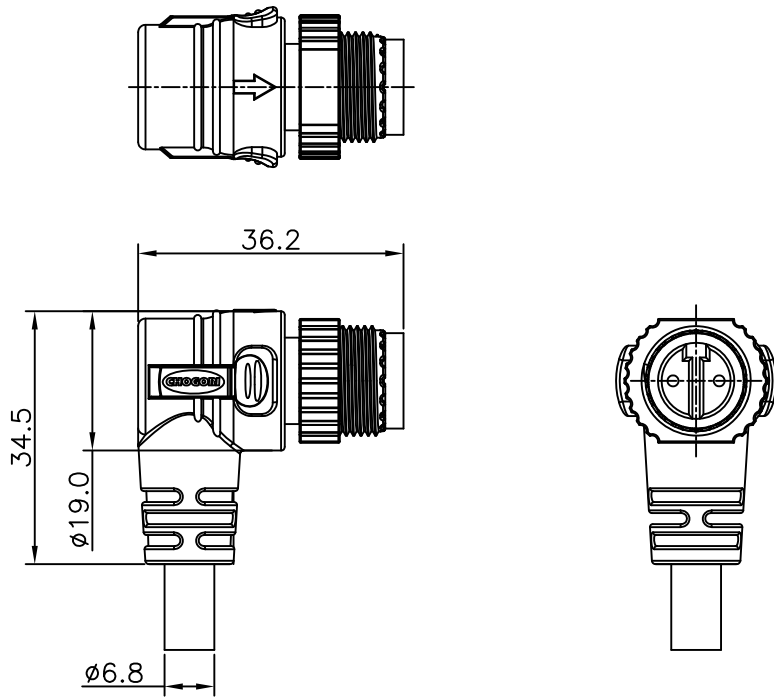
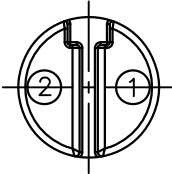


REV.	ECN NO.	DESCRIPTION	SIGN	DATE
D1		首次发行	蒋将	20150113
D2	ECN150507-02	锁环零件替换	莫祯鹏	20150507



NOTE:

1. Connector: Nylon
2. Pin: Brass 4u" Gold Plated
3. Temperature Rating: -40°C~+80°C.
4. Current Rating: 10A
5. Breakdown Voltage: 2KV/1Minute Moist
6. Insulation Resistance: 10M Ω , 500VDC
7. Contact Resistance: 10m Ω
8. Waterproof: IP68



2	蓝
1	棕
Conn.	Wire Color

Pin Assignments
Front View 前视图

Pin Out

UNIT:mm	
TOLERANCE	
.X	±0.25
.XX	±0.15
.XXX	±0.05
ANGLES	±1°

产品描述		M15 90度公头	
SCALE: N/A	SHEET 1 OF 1		
REV. D2	SIZE A4	* :Inspection Item	

CHOGORI
深圳乔合里科技有限公司

物料表				
序号	零件料号	用量	物料描述	备注
1	301-00015-02	2	镀金TP ϕ 1.5针	
2	107-00047-00	1	M15 分体式公头锁环	
3	101-00113-00	1	H044-定制公胶头	
4	601-00032-00	8g	尼龙料	

PART NO	48002114-01-001	DRAWN BY	莫祯鹏	DATE	20150507
DWG NO		CHECKED BY		DATE	
CUSTOMER		APPROVED BY		DATE	

THIS INFORMATION IS CONFIDENTIAL AND IS DISCLOSED TO YOU ON CONDITION THAT NO FURTHER DISCLOSURE IS MADE BY YOU TO OTHER THAN CHOGORI PERSONNEL WITHOUT AUTHORIZATION FROM CHOGORI CORP.